

Viva Family Tent

UNHCR Standard

-  Fire retardant
-  Waterproof
-  Rot-proof
-  UV stabilized
-  Logo customizable



› Key features

- › Fire retardant, waterproof, rotproof and UV-stabilised¹
- › 16 m² main floor area plus two 3.5 m² vestibules for a total area of 23 m², double-fly with ground sheet
- › Complies to recommended minimum living area in hot and temperate climates (3.5 m² per person), providing extra space for cold climates
- › Suitable for family of five people.

› Dimensions

Total living area	23 m ²
Main floor	16 m ²
Two vestibule area	3.5 m ² x 2 = 7 m ²
Centre height	2.20 m
Width	4.00 m
Ridge length	4.00 m
Side wall height	1.25 m
Centre base length	6.60 m

Tent doors (width and height)

Total size	1.30 x 1.40 m
Door flaps	1.40 x 1.60 m
Upper part	1.40 x 0.90 m (PC)
Lower part	1.40 x 0.70 m (PE)

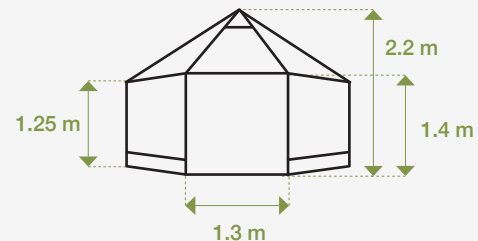
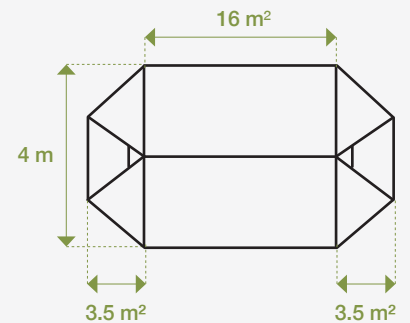
Upright poles

2 Upright poles	2.20 m
1 Centre upright pole	2.17 m
Pole diameter	25 x 1.20 m

Side poles

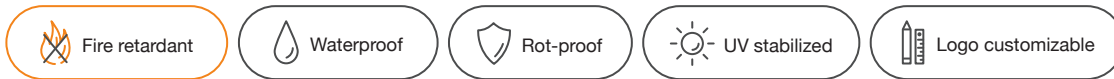
6 Side poles	1.25 m
4 door poles	1.40 m
Pole diameter	19 x 1.25 m

› Graphic reference



Viva Family Tent

UNHCR Standard



› Materials

Outer tent	Roof: 380 gsm Polycotton, natural white ($\pm 10\%$) Wall: 250 gsm Polycotton, natural white ($\pm 10\%$)
Inner tent	160 gsm Polycotton, natural white
Mud flaps	180 gsm Polyethylene (HDPE), black ($\pm 5\%$)
Ground sheet	180 gsm Polyethylene (HDPE), black, sewn in bathtub ($\pm 5\%$)

› Tent parts

Inner partition	Two half partitions running from Centre pole to side wall
Chimney	A chimney reinforcement with a non-perforated opening is placed at 0.50 m from one corner
Windows	Outer tent has two long windows (360 x 30 cm) with mosquito netting and a rain flap running on both sides of the tent
Ventilators	The outer tent has two ventilation openings (25 x 30 cm) in front and back with reinforcement netting and a rain flap

› Packing and shipping

Contents	Tent, inner tent, accessories (assembly instruction, content list and repair kit)
Weight per tent	64 $\pm 10\%$ kgs approx.
Dimension per tent	225 x 30 x 30 cm
Volume per tent	0.276 cbm
Number of tents per cage	15
Dimension per cage	225 x 117 x 113 cm
Volume per cage	2.97 cbm
Weight per cage	1,045 kgs approx.

› Estimated loadability²

Containers	With cage	Without cage
20' GP	10 cages, 150 tents	165 tents
40' GP	20 cages, 300 tents	340 tents
40' HC	20 cages, 300 tents	400 tents

¹ Pass CPAI section 5 and 6 as per UNHCR standard with maximum 10s after flame average and maximum 30s after flame per test piece
Ageing under ISO 4892-2, type A, 360 hours

² The loadability provided is based on the maximum volume and weight capacity of the containers. This might change due to road weight restrictions in the country of destination. Please contact our sales team for further clarifications.